

## B28

### HIGH SPEED LEAK TESTER FOR INDUSTRIAL QUALITY CONTROL

Without any doubt, the smallest high performance leak tester for battery cells and breathable membranes. One of the main advantage is that our B28 module can test fastly the cell insulator. To ensur the best measurement conditions, the B28 is able (in option) to control filling and dumping vaccum around the part to test in a specific enclosure. You can daisy chain up to 50 modules and supervise them with a touch screen panel + our user friendly interface: B28 control.

Specially adapted for automatic and semi automatic test machines, the B28 has a full range of specifications at a very competitive price.

#### Highlights

- COMPACT
- HIGH SPEED TEST
- ACCURATE
- 50 MODULES NETWORK



#### Applications



Battery, automotive.

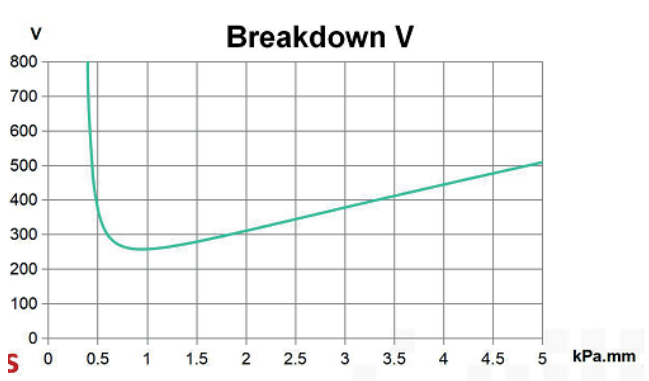
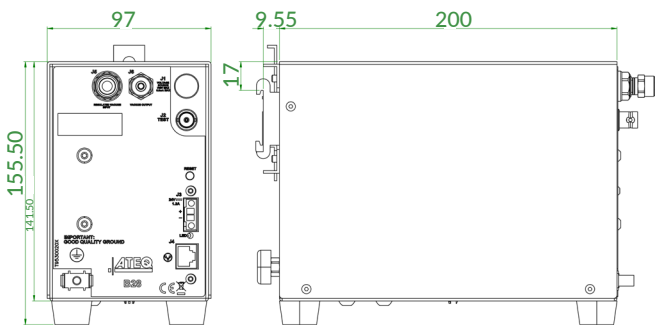
# B28

## HIGH SPEED LEAK TESTER FOR INDUSTRIAL QUALITY CONTROL

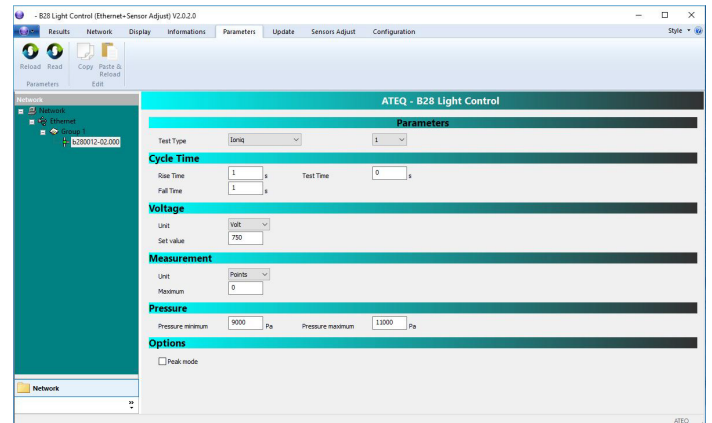
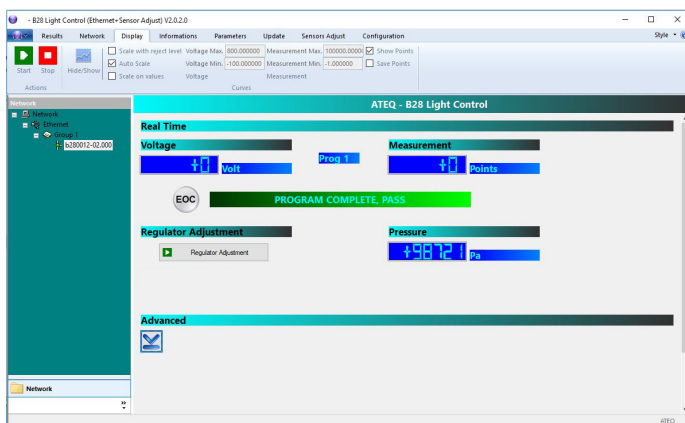
### Measurement Characteristics

Test	Range*	Max. resolution
Test Voltage	50 - 750 VDC	< 1% FS
Leak	0 to 100 000 pts	
Pressure	0.5 kPa to ATM	

Accuracy: linearity + repeatability + hysteresis  
\*Optional laboratory accuracy available



### B28 control



### Main Features

- Leak measurement thanks to air ionization method
- (I max < 1 mA)
- Compact dimensions (overall (mm): h 155.5 x L 97 x D 229.55)
- External vacuum source
- Ethernet network up to 50 modules (Modbus IP)
- DIN rail mounting
- Environment: ROHS standard

### Technical Specifications

Presentation	Weight: around 3,5 Kg
Electrical external supply	Voltage: 24 V DC / 1.6 A Main adaptater included 110 – 230 V AC
Temperature	Operating: +5°C to +45°C Storage: 0°C to +60°C

### Options

- Integrated fill and dump valves

